

EPSILON TIMBER & RECYCLING CRANES

PALFINGER



THE NEW GENERATION 3

**EXPERIENCE & TECHNOLOGY.
WE BRING IT TOGETHER.**

PALFINGEREPSILON.COM

FORESIGHT NEEDS SOLID ROOTS. BECAUSE WE THINK IN GENERATIONS.

At PALFINGER EPSILON, we are deeply rooted in nature – our living and creative space – and have both feet firmly on the ground. Our pioneering spirit shapes the way we work together with our customers, gives us the necessary foresight and also opens up some unconventional approaches. This provides the basis for developing innovative, custom-built and sustainable solutions. Everything we do is focused on our primary goal: to make our customers more efficient in their work while conserving the valuable resources of our environment.

This makes PALFINGER EPSILON a partner for generations.

[#REACHANYTHING](#)





SCAN ME

Dive into our world and experience how we combine proven technology with the latest innovations for the next generation.



**WE CHANGE THE
PERSPECTIVE.
BECAUSE OUR
CUSTOMERS KNOW BEST
WHAT THEY NEED.**

We listened very closely to our customers when developing the new generation of cranes. Together, we grow with the challenges we face. Together, we recognize the potential on which we are working with a passion.

By working together with a spirit of mutual trust, we have succeeded in adopting the best features of the previous crane series and combining them with the latest technological developments. The new GENERATION 3 combines the highest level of convenience with a very appealing design and purpose-specific technologies. Technologies that make our customers' work easier while making them even more cost effective and environment friendly. That is because as a partner for generations, we know that a sustainable and resource-saving way of working is the only way to ensure a future suitable for the next generations.

THE RESULT OF OUR WORK TOGETHER. THE NEW GENERATION 3.

NEW
PRODUCT DESIGNATION:

TZ17

- 17 = Lifting moment in meter tons
- Z = Z Cranes / L = L Cranes
- T = Timber & Recycling



Z CRANES:

TZ10
TZ12
= MEDIUM CAPACITY

TZ15
TZ17
TZ18 ^{HPLS}
= MEDIUM / HEAVY CAPACITY



L CRANES:

TL10
TL12
= MEDIUM CAPACITY

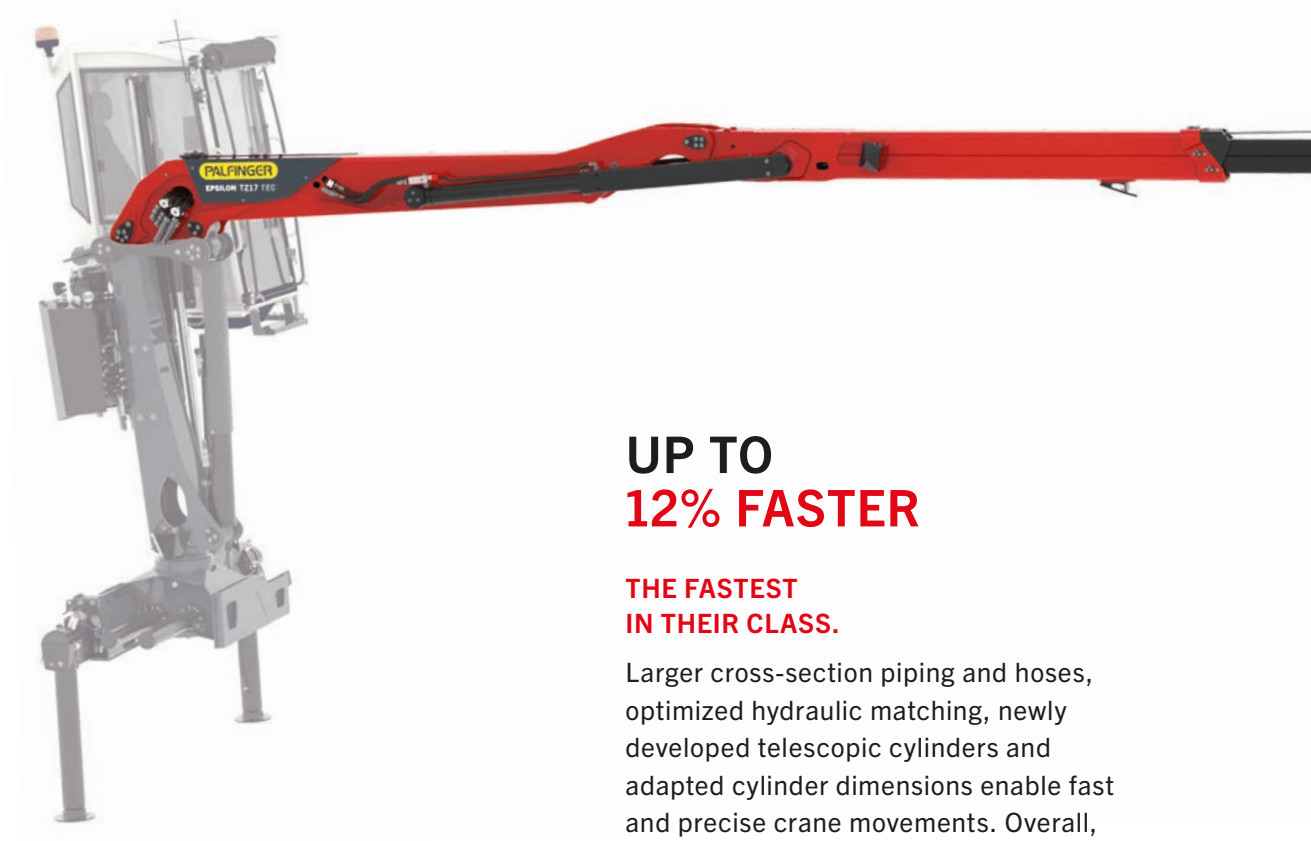
TL15
TL17
= MEDIUM / HEAVY CAPACITY



THE NEW GENERATION 3



**THE LONGEST AND
THE FASTEST.
THE NEW
GENERATION 3.**



**UP TO
12% FASTER**

**THE FASTEST
IN THEIR CLASS.**

Larger cross-section piping and hoses, optimized hydraulic matching, newly developed telescopic cylinders and adapted cylinder dimensions enable fast and precise crane movements. Overall, GENERATION 3 crane models are up to 12% faster than their predecessors.



#REACHANYTHING

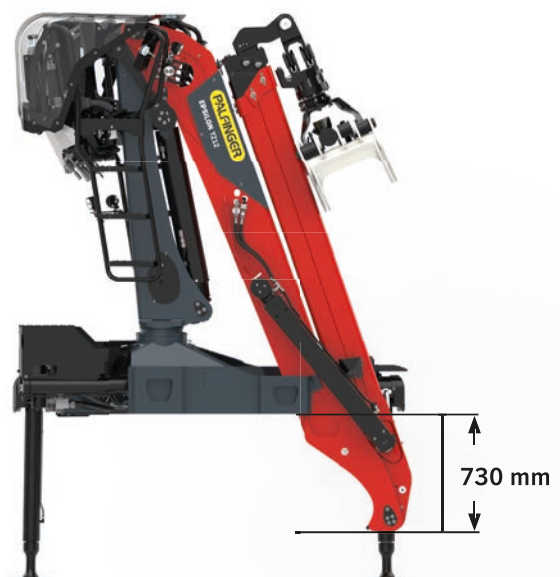
← max. 10,9 m →



UP TO 10.9 METERS REACH

**THE LONGEST AND STRONGEST
IN THEIR CLASS.**

New boom systems enable a previously impossible reach of up to 10.9 meters. L and Z crane models are both available with the proven EPSILON double telescopic cylinders with internal hose routing as well as with the straightforward and lightweight single telescopic cylinders. Z crane models are especially compact in the parked position and only extend 730 mm downwards.



OPERATOR CONVENIENCE AT ITS FINEST. THE NEW COMFORT DRIVE.

Comfortable suspended seat

The ergonomically shaped seat made by GRAMMER - a high quality manufacturer - provides a secure hold. On cold days, the heated seat makes for a pleasant experience, while the horizontal and vertical suspension takes the load off the spine for fatigue-free crane operation.

Pilot controls

Using the hydraulic pilot controls, the operator is able to operate the crane sensitively, directly and smoothly. Joysticks or levers – the customer can choose. The outrigger supports can be controlled from the top seat and, thanks to a good overview, enable safe working. The load-sensing and dual-circuit hydraulic valves are neatly installed on the top seat. The new Comfort Drive not only ensures reliable operation, it also looks damn good.



Hose package

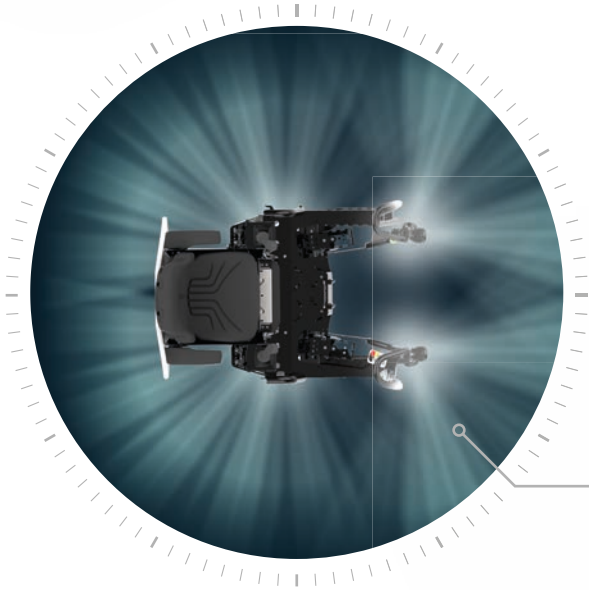
As standard, the Comfort Drive is delivered with a hose loom between the top seat and the base frame. The proven hose loom guarantees easy service.

Or rotary distributor

The Comfort Drive can also be delivered with a rotary distributor. The rotary distributor is well protected inside the column, and a new sealing system guarantees a long service life. Electrical plug connections make the rotary distributor quick and easy to service.

Protected from the wind and weather

The hydraulically operated crane operator guard offers enhanced safety and comfort as an option. The transparent polycarbonate glazing guarantees a clear all-round view of the work area and provides protection against falling branches.



360° LED lighting

6 floodlights outputting 3000 lumens each are available as an option mounted on the top seat to completely illuminate 360° of the work area. Now working in the dark is not only more productive, it is also much safer. In addition, the floodlights can be switched on from the truck.



CLASSIC DRIVE

- Manual controls
- Low weight



COMFORT CAB

- Pilot controls
- Comfortable air suspension seat



TEC CAB

- Configurable with **SMART CONTROL**, the intelligent EPSILON crane control system
- Paltronic 180 electric crane controller with timber performance package
- Comfortable air suspension seat

EASY TO OPERATE. THE NEW SMART CONTROL.

TEC CAB – the cab with SMART CONTROL

SMART CONTROL is available as an option with the electric TEC CAB. Two joystick options, easy operation and a protected working environment have all bases covered.

Vibration and limit stop damping included

The crane functions of the main arm, knuckle boom and telescopic boom are measured live by internal sensors. The software electronically dampens the functions when the limit positions are reached – so there is never a jolt at either end of the cylinder. This not only significantly extends the service life of the crane, but also protects the operator's spine, because vibrations are drastically reduced.

Easy servicing guaranteed

The sensors and cable routing that are completely integrated into the crane construction are especially easy to service. The cables are fitted with connectors at the critical points, the sensors are easily accessible from the outside, and all covers are robust.



Straightforward and intuitive control of the crane tip

With SMART CONTROL, it is no longer necessary to control each cylinder individually using levers. The crane operator controls the movement of the crane tip – the software does the rest.

Three crane functions move simultaneously

This technology, which has many years of proven service in the field, combines three crane functions by operating one joystick: main boom, knuckle boom and telescopic boom – ensuring smooth and precise movement of the crane.



SMART CONTROL – IN ACTION SINCE MAY 2020

“I have been actively working with PALFINGER EPSILON to get SMART CONTROL ready for series production since 2020. Now, I can no longer imagine working without the new crane control system. Especially during long working days, I notice I get significantly better work performance throughout the day because I have to concentrate less on controlling the crane. I have been more aware of my surroundings since then, and am able to focus specifically on sorting the different types of timber and making sure that my work area is safe. Basically, the system worked flawlessly even during initial field tests, and the improvements were implemented quickly and efficiently by the technicians,” says the enthusiastic crane operator.



Andreas Steinwendtner from Strobl near Salzburg is the first crane operator in the world to use the new SMART CONTROL crane tip control system from EPSILON.

INTEGRATED AND PROTECTED. SUPPORT RETHOUGHT.

OUTSTANDING STABILITY

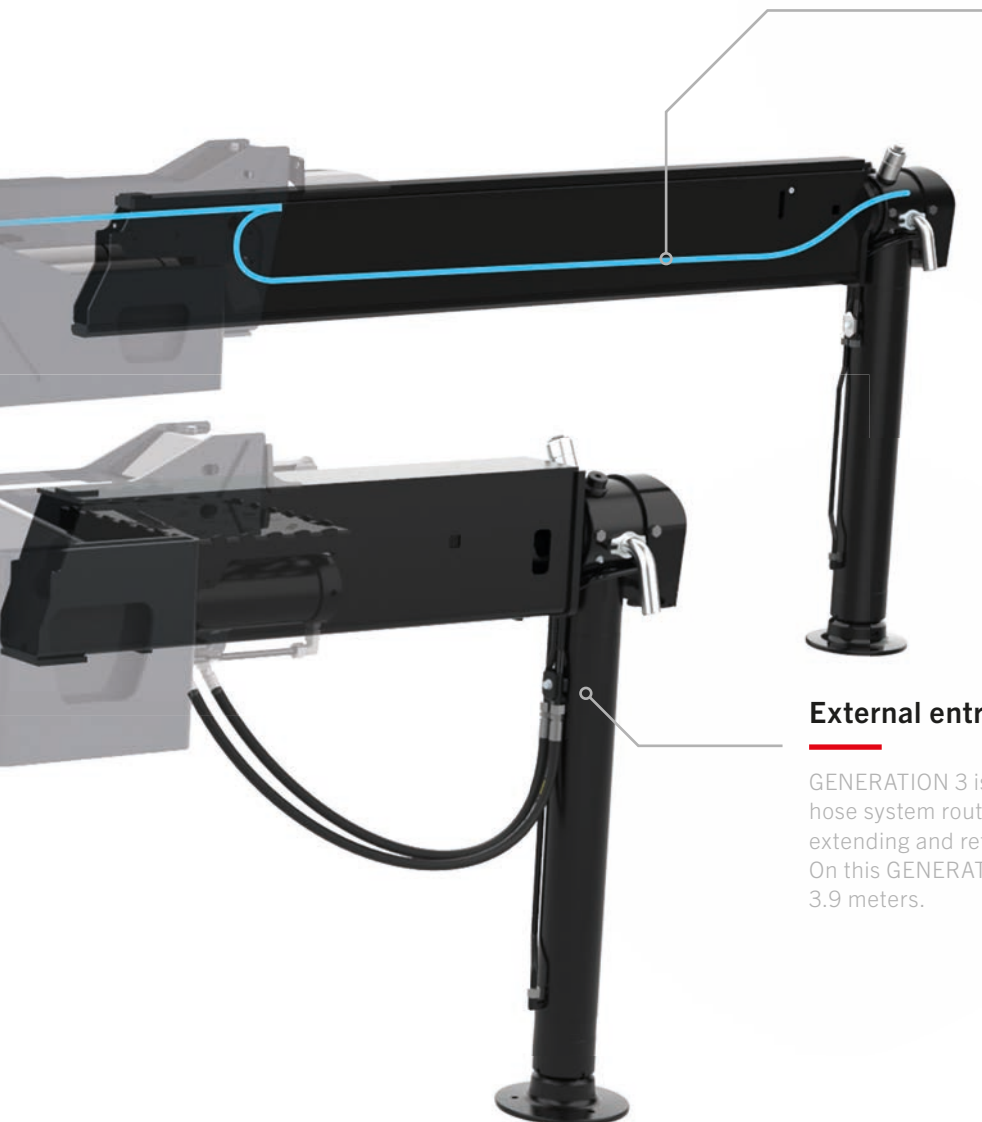
The new GENERATION 3 is available with support widths of 3.9 to 5.4 meters. As a result, excellent stabilization is ensured during crane work so that maximum lifting capacity can be fully utilized. The full-length outriggers are now even more robust than on previous models – so an extended service life goes without saying.

Internal hose routing

All crane models are available with outriggers featuring internal hydraulic hoses and cylinders. Integrating them into the structure optimally protects them against external damage, and opens up new truck mounting options. Large service ports allow hoses to be changed quickly and easily.

External entry-level solution

GENERATION 3 is also available with a simple yet sturdy hose system routed externally. A common cylinder for extending and retracting is mounted inside for protection. On this GENERATION 3 variant the support width is 3.9 meters.



GREASING MADE EASY. CENTRAL GREASING SYSTEM FACTORY FITTED.

GREASING HAS NEVER BEEN SO EASY

All the important points are supplied by the central greasing system, so the crane operator can focus on day-to-day business. Automatic greasing means that lubrication points are no longer overlooked, which significantly increases the service life of bronze bearings due to their continuous greasing and integrated bearing seal. The central greasing system hoses and distributors are integrated into the structure of the crane for protection.



**GREASE
VOLUME
REDUCED
UP TO 80%**

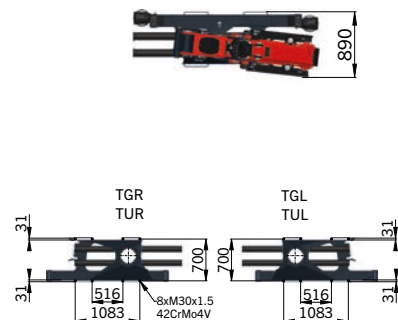
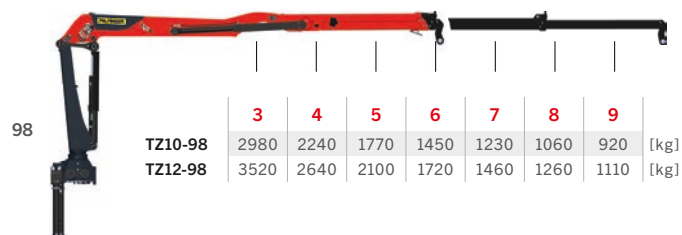
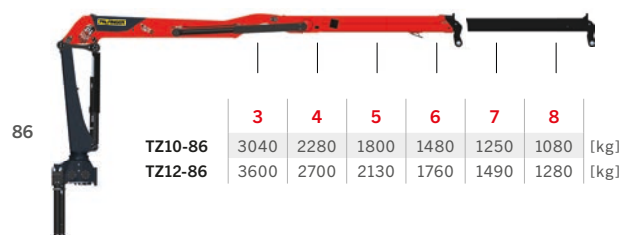
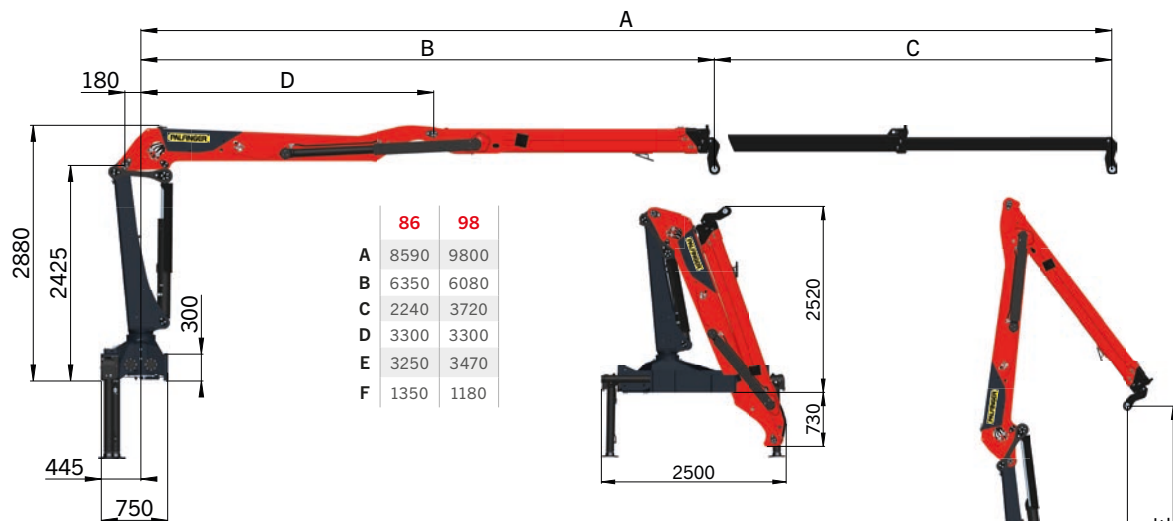
Fully automatic option

With the automatic greasing option, the grease distribution system is supplied by a central electric grease pump. The pump automatically feeds a specified volume of grease into the crane every 30 minutes, ensuring smooth operation. On average, the 2 kg filling of grease is sufficient for one year of operation* – the grease is only used where it is needed, so it is a very efficient system.

*Based on 1000 operating hours per year

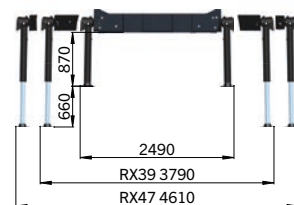
TECHNICAL DETAILS. Z-CRANES.

TZ10 – 12 MT

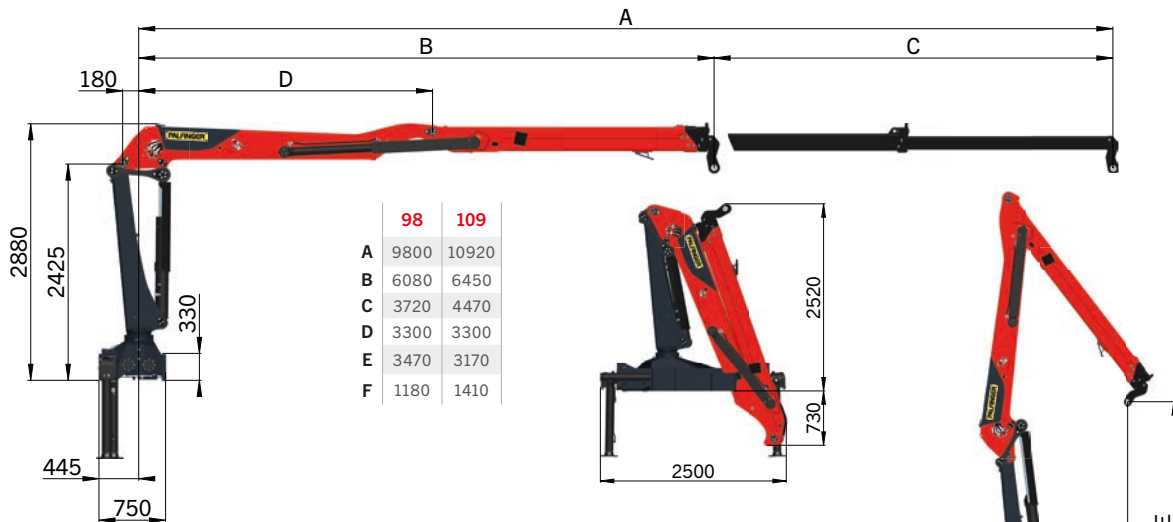


		[kNm]	TZ10		TZ12	
			86	98	86	98
Lifting moment net		93	92	109	105	
Slewing torque net		24		28		
Slewing angle	[°]	425°				
Max. outreach	[m]	8,6	9,8	8,6	9,8	
Operating pressure	[bar]	230		260		
Recommended pump capacity	1K	[l/min]	1x80			
	2K	[l/min]	2x70			
	LS	[l/min]	1x150			
Dead weight without link/rotator	Classic Drive	[kg]	2230	2270	2270	2310
	Comfort Drive	[kg]	2320	2360	2360	2400
	Comfort & TEC Cab	[kg]	2820	2860	2860	2900

Lifted weight, net without accessories; weight of standard crane, incl. oil, spot lights and cyclinder protection, without link, rotator, material tolerance +/- 5%

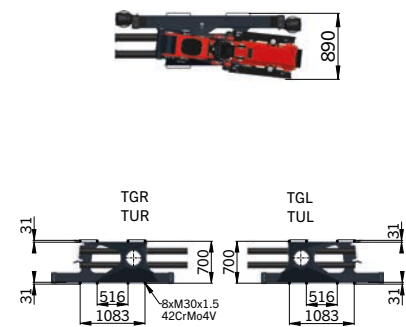


TZ15 – 18 MT

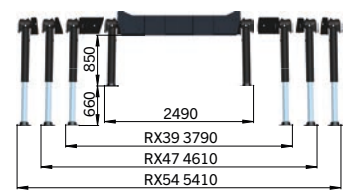


98		3	4	5	6	7	8	9	
	TZ15-98	4570	3430	2730	2260	1920	1660	1460	[kg]
	TZ17-98	5260	3940	3160	2600	2220	1920	1690	[kg]

109		3	4	5	6	7	8	9	10	
	TZ15-109	4500	3380	2680	2210	1870	1620	1420	1260	[kg]
	TZ17-109	5200	3900	3080	2560	2180	1880	1660	1470	[kg]
	TZ18-109	5860	4400	3500	2900	2470	2140	1880	1660	[kg]



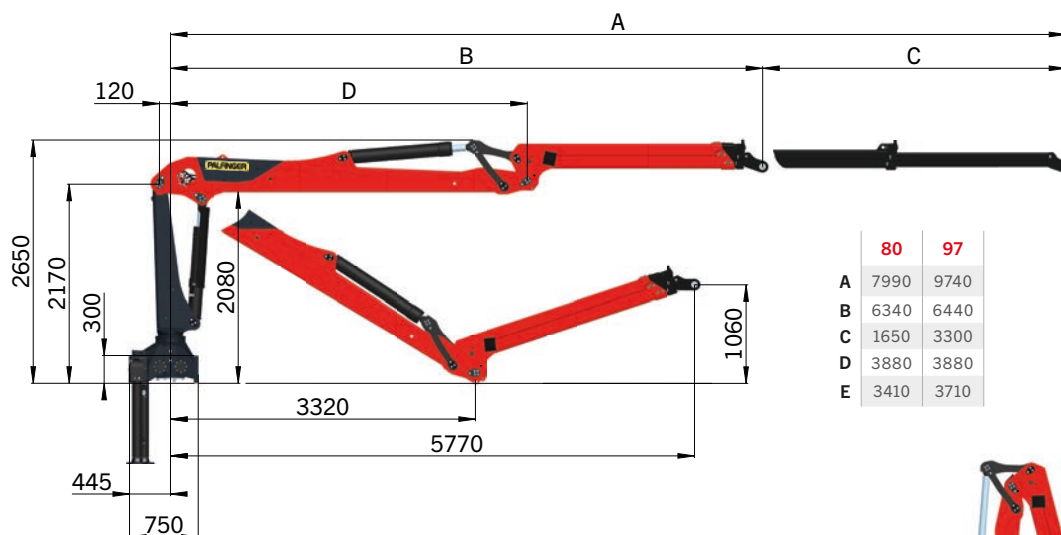
		TZ15		TZ17		TZ18 HPLS	
		98	109	98	109	109	
Lifting moment net	[kNm]	138	136	158	156	176	
Slewing torque net	[kNm]	30		32		32	
Slewing angle	[°]	425°					
Max. outreach	[m]	9,8	10,9	9,8	10,9	10,9	
Operating pressure	[bar]	260		290		290 (320 HPLS)	
Recommended pump capacity	1K	[l/min]		1x90			
	2K	[l/min]		2x80			
	LS	[l/min]		1x170			
Dead weight without link/rotator	Classic Drive	[kg]	2530	2580	2570	2620	2630
	Comfort Drive	[kg]	2620	2670	2660	2710	2720
	Comfort & TEC Cab	[kg]	3120	3170	3160	3210	-



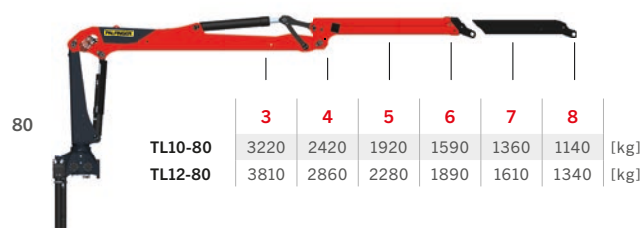
Lifted weight, net without accessories; weight of standard crane, incl. oil, spot lights and cylinder protection, without link, rotator, material tolerance +/- 5%

TECHNICAL DETAILS. L-CRANES.

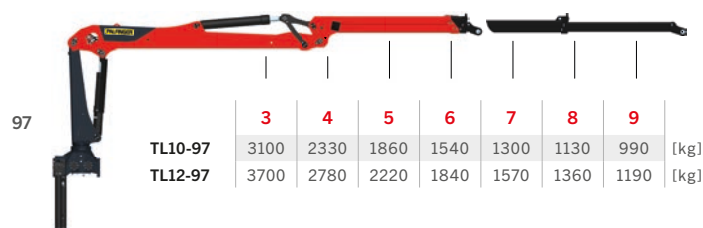
TL10 – 12 MT



	80	97
A	7990	9740
B	6340	6440
C	1650	3300
D	3880	3880
E	3410	3710



	3	4	5	6	7	8	
TL10-80	3220	2420	1920	1590	1360	1140	[kg]
TL12-80	3810	2860	2280	1890	1610	1340	[kg]

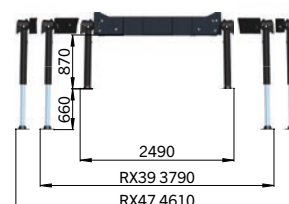
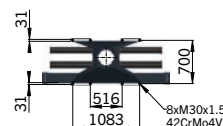


	3	4	5	6	7	8	9	
TL10-97	3100	2330	1860	1540	1300	1130	990	[kg]
TL12-97	3700	2780	2220	1840	1570	1360	1190	[kg]

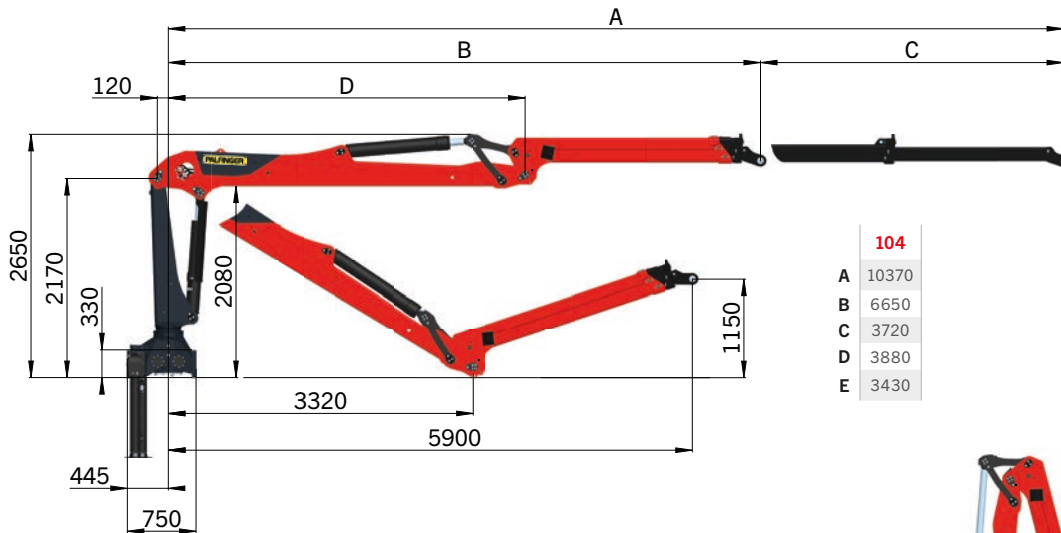


			TL10		TL12	
			80	97	80	97
Lifting moment net		[kNm]	97	93	115	111
Slewing torque net		[kNm]	24		28	
Slewing angle		[°]	425°			
Max. outreach		[m]	8,0	9,7	8,0	9,7
Operating pressure		[bar]	220		250	
Recommended pump capacity	1K	[l/min]	1x80			
	2K	[l/min]	2x70			
	LS	[l/min]	1x150			
Dead weight without link/rotator	Classic Drive	[kg]	2090	2150	2130	2190
	Comfort Drive	[kg]	2180	2240	2220	2280
	Comfort & TEC Cab	[kg]	2680	2740	2720	2780

Lifted weight, net without accessories; weight of standard crane, incl. oil, spot lights and cyclinder protection, without link, rotator, material tolerance +/- 5%



TL15 – 17 MT



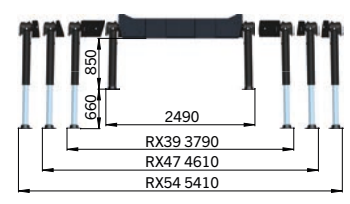
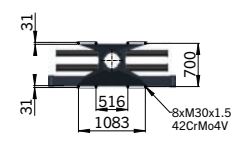
	104
A	10370
B	6650
C	3720
D	3880
E	3430

104										
	3	4	5	6	7	8	9	10		
TL15-104	4480	3280	2690	2220	1900	1640	1450	1290	[kg]	
TL17-104	4910	3680	2950	2450	2080	1810	1590	1420	[kg]	



			TL15	TL17
			104	104
Lifting moment net		[kNm]	135	148
Slewing torque net		[kNm]	30	32
Slewing angle		[°]	425°	
Max. outreach		[m]	10,4	10,4
Operating pressure		[bar]	270	290
Recommended pump capacity	1K	[l/min]	1x90	
	2K	[l/min]	2x80	
	LS	[l/min]	1x170	
Dead weight without link/rotator	Classic Drive	[kg]	2400	2440
	Comfort Drive	[kg]	2490	2530
	Comfort & TEC Cab	[kg]	2990	3030

Lifted weight, net without accessories; weight of standard crane, incl. oil, spot lights and cyclinder protection, without link, rotator, material tolerance +/- 5%



EPSILON KRAN GMBH
Christophorusstraße 30
5061 Elsbethen-Glasenbach | Austria
Tel +43 662 629548-0
epsilon@palfinger.com

WWW.PALFINGEREPSILON.COM

DEALER: